


General Notes and Legends

Legend:	
	Domestic Cold Water Pipework
	Main Water Pipework
	Domestic Hot Water Pipework
	Primary Hot Water Flow
	Primary Hot Water Return
	Secondary Hot Water Flow
	Secondary Hot Water Return
	Overflow Pipework
	Borehole Pipework
	Gate Valve
	Water Meter
	Pump
	Solenoid Valve
	Strainer
	Motorized Valve
	Pressure Relief Valve
	Pressure Sensor
	Temperature Sensor
	Non Return Valve

01	14.09.20	NAH	Revised Layout
02	24.09.20	NAH	Revised Layout
01	14.09.20	NAH	Revised Layout



**CAMILLERI & CUSCHIERI**  
CONSULTING ENGINEERS  
Design Center, Level 2, Tower Road, Swatar,  
Birkirkara, Malta BKR 4012  
+356 21220431 356 79220431  
info@camilleriandcuschieri.com  
www.camilleriandcuschieri.com

Project Name & Address:  
**Nature Trust**  
**Xrobb L-Ghagin**

Scale: 1:100  
Revision No.: 02  
Date: 11.08.20

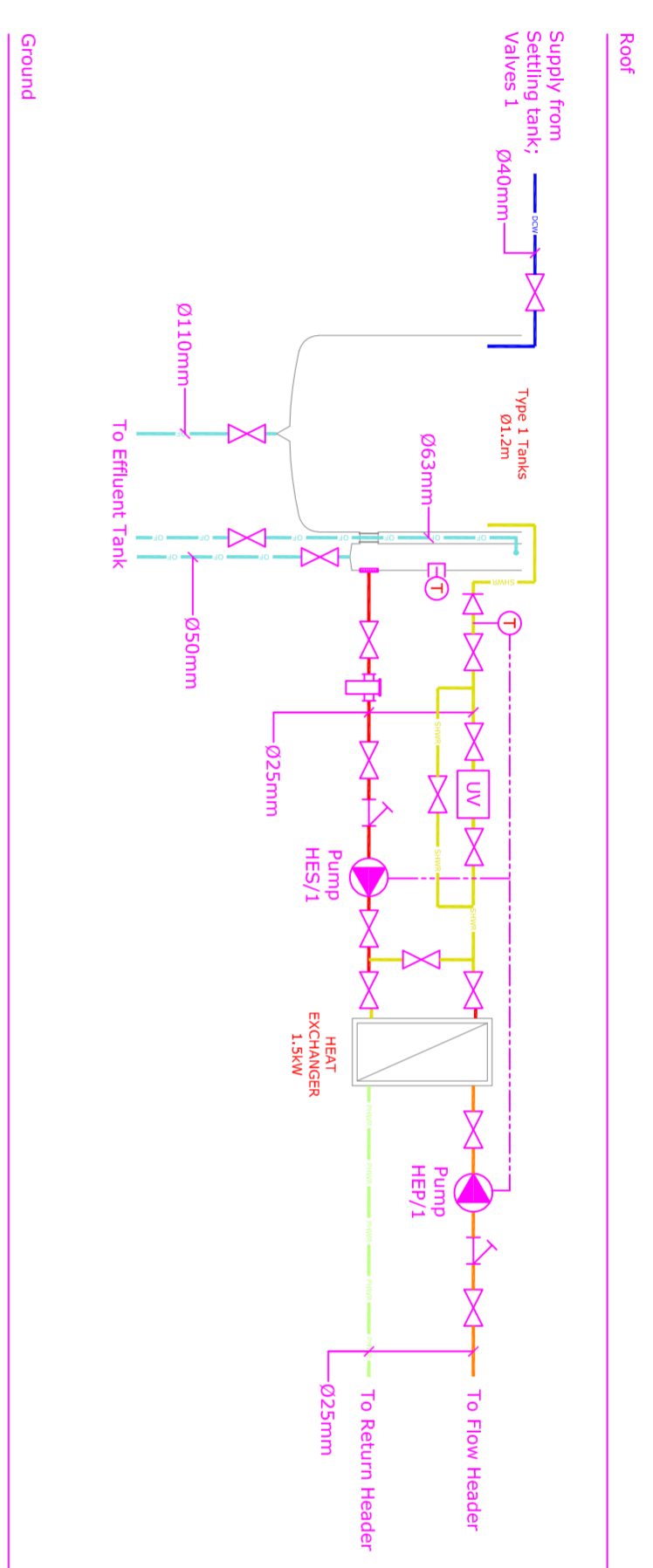
Job No.: 20.032  
Drawing No.: NT-XG:TPSD.AS.03

Drawn By: *Nancy Abid*  
Checked By:

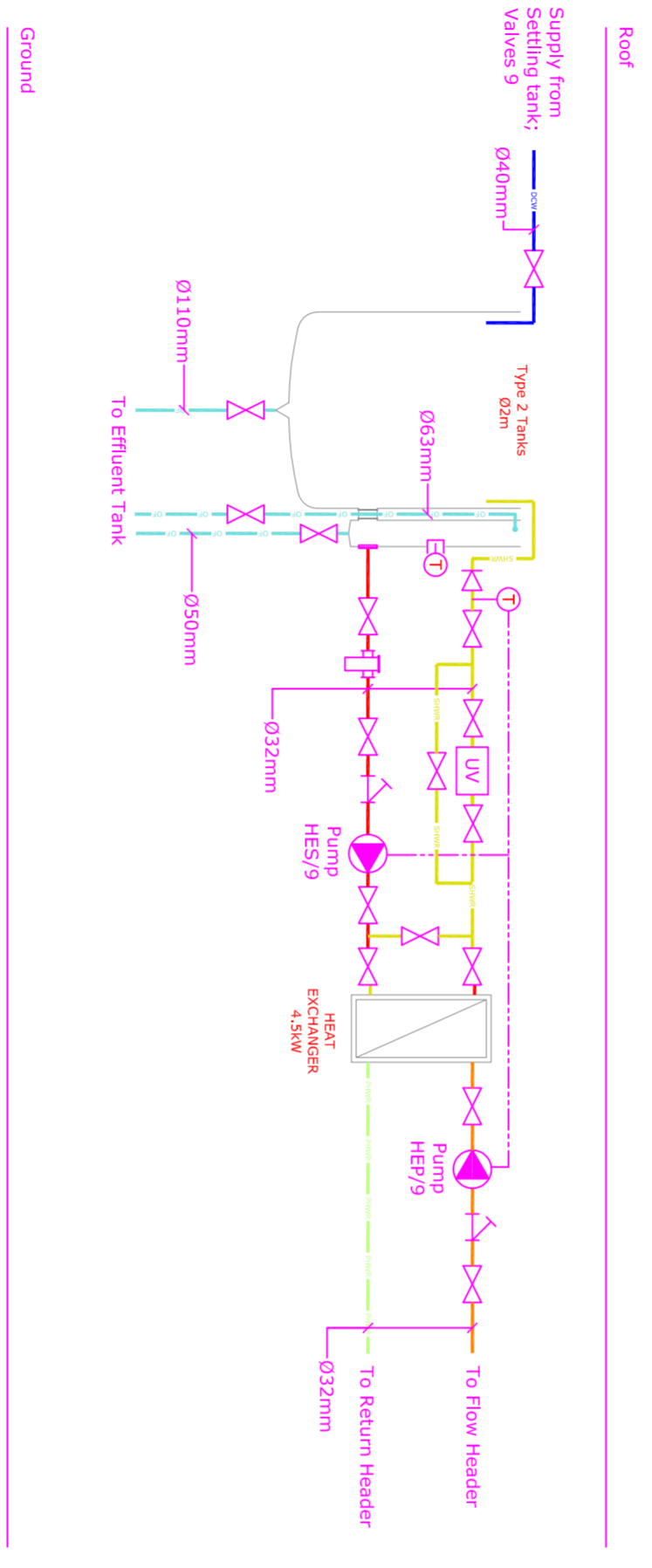
Position: As Shown

Service: Tank Pumping Schematic Diagram

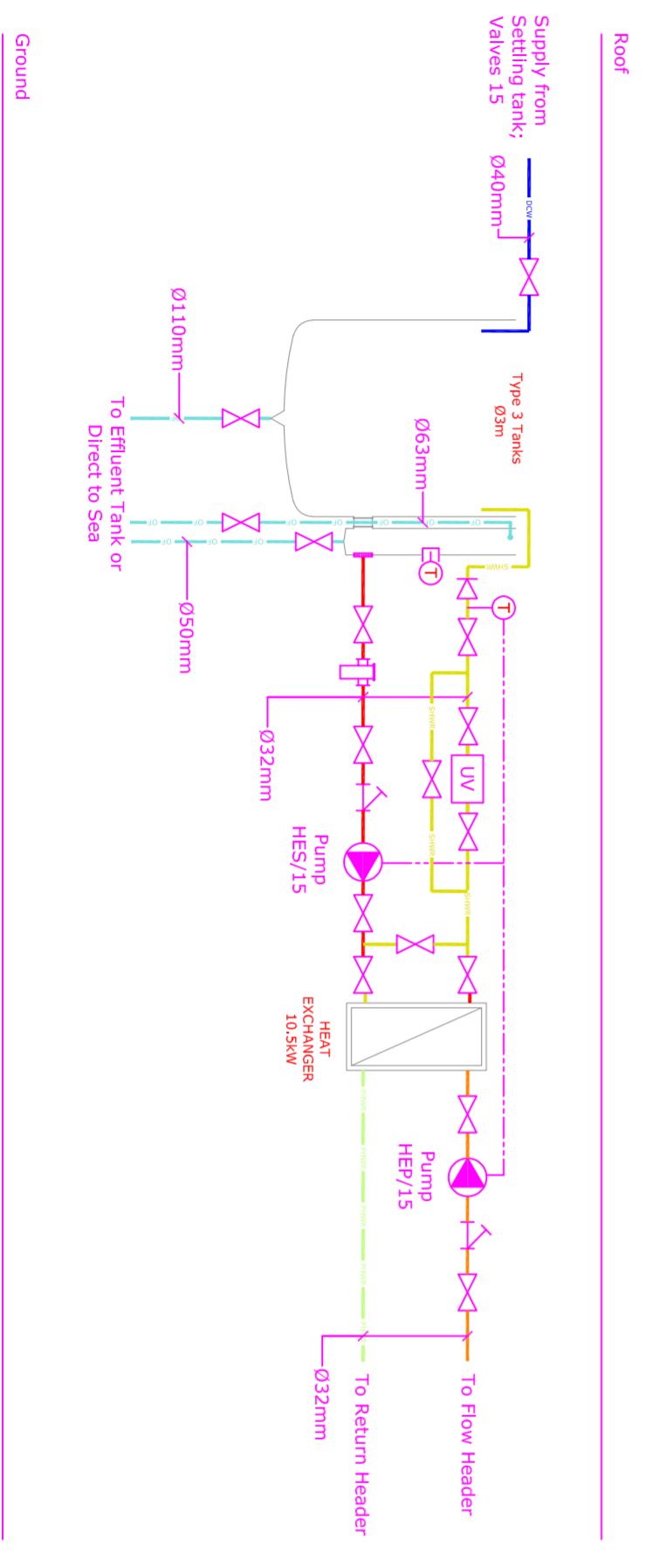
Type 1 Tank Typical Schematic



Type 2 Tank Typical Schematic



Type 3 Tank Typical Schematic



- Pump Sizes:**
- Pump 01; 15l/min @ 10m Head
  - Pump 02; 85l/min @ 75m Head
  - Pump 03; 70l/min @ 20m Head
  - Pump HES 01-08; 4.5l/min @ 10m Head
  - Pump HEP 01-08; 4.5l/min @ 10m Head
  - Pump HES 09-14; 13l/min @ 10m Head
  - Pump HEP 09-14; 13l/min @ 10m Head
  - Pump HES 15; 30l/min @ 10m Head
  - Pump HEP 15; 30l/min @ 10m Head
  - Pump HES EFF; 30l/min @ 10m Head
  - Pump HEP EFF; 30l/min @ 10m Head

A2 PLEASE DO NOT SCALE FROM THE DRAWING