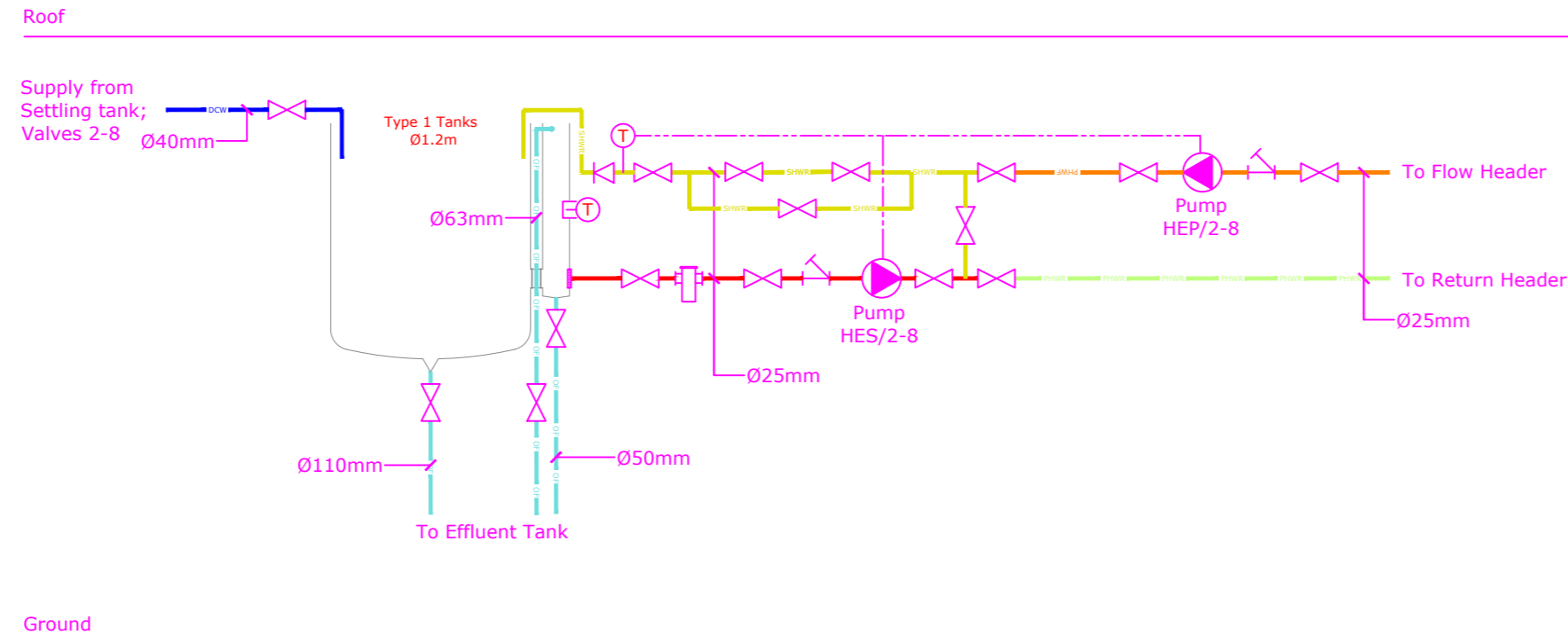
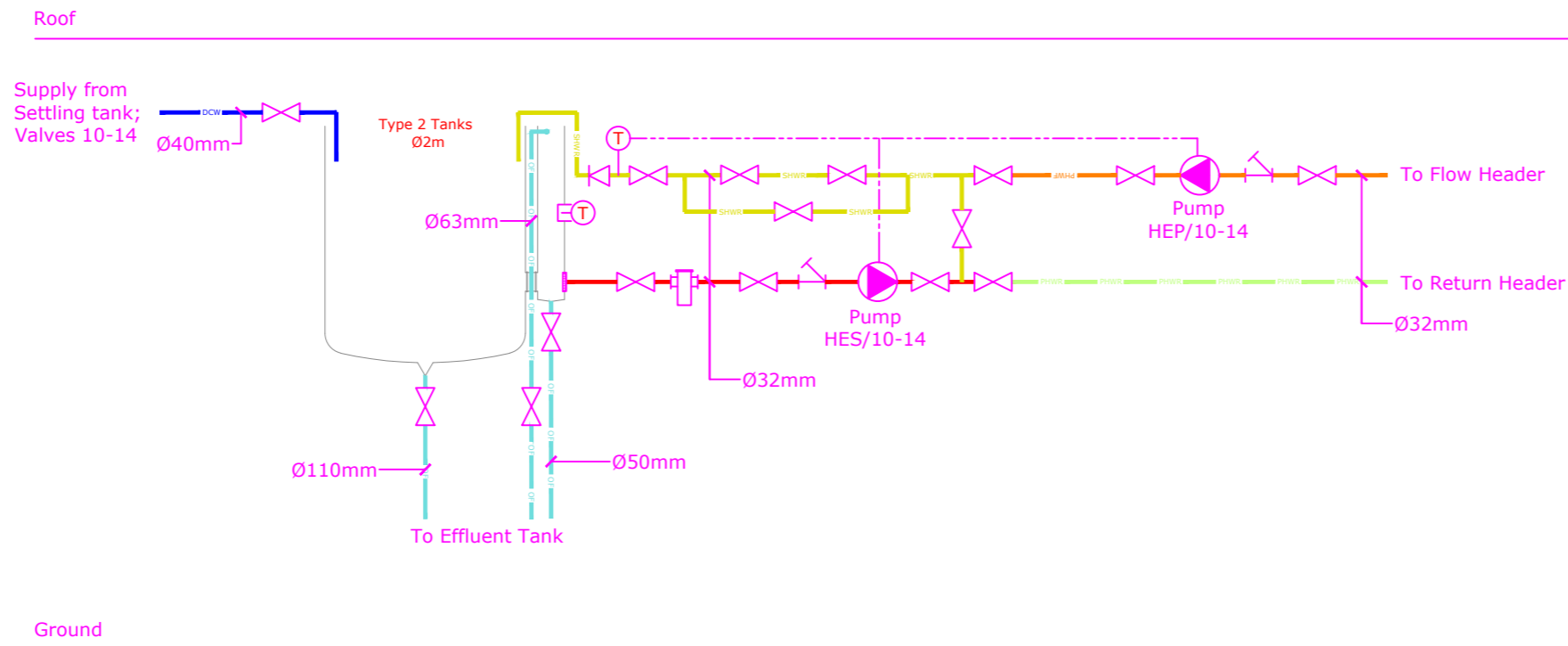


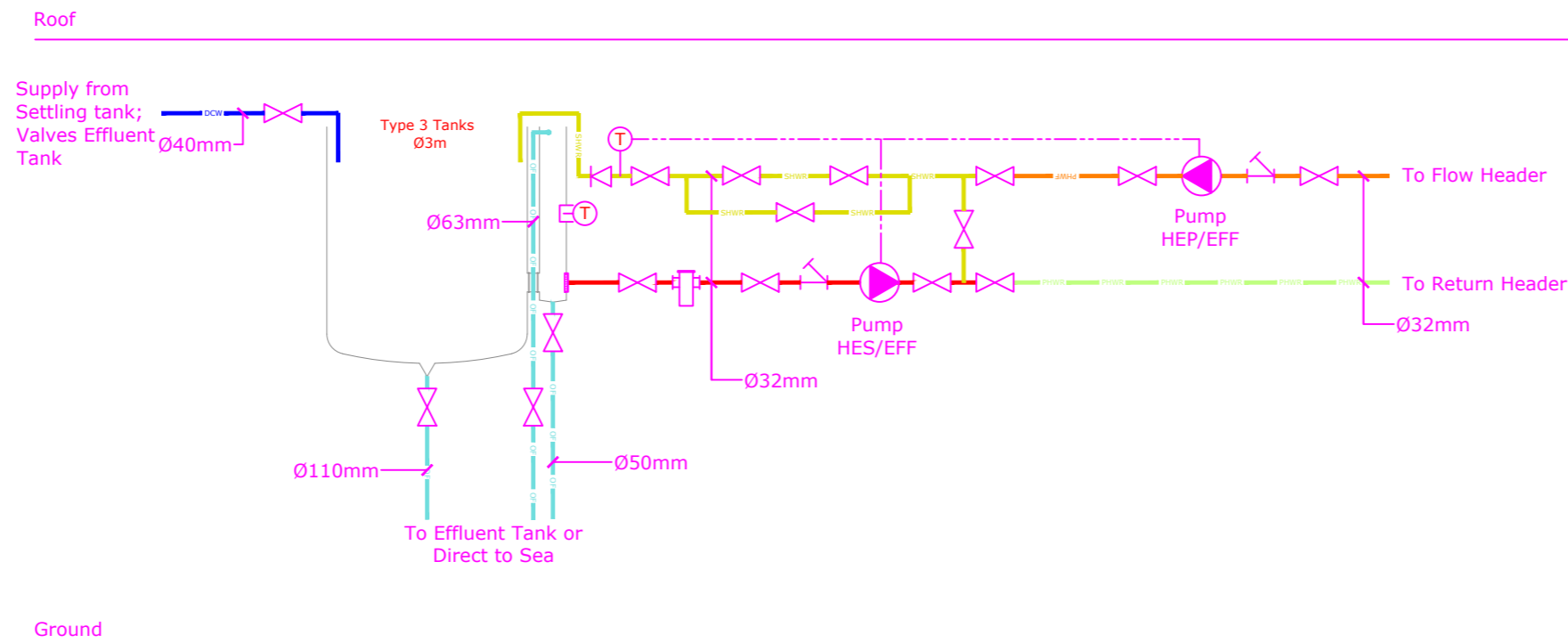
Type 1 Tank Typical Schematic



Type 2 Tank Typical Schematic



Type 3 Tank Typical Schematic



Pump Sizes:

- Pump 01;** 15l/min @ 10m Head
- Pump 02;** 85l/min @ 75m Head
- Pump 03;** 70l/min @ 20m Head
- Pump HES 01-08;** 4.5l/min @ 10m Head
- Pump HEP 01-08;** 4.5l/min @ 10m Head
- Pump HES 09-14;** 13l/min @ 10m Head
- Pump HEP 09-14;** 13l/min @ 10m Head
- Pump HES 15;** 30l/min @ 10m Head
- Pump HEP 15;** 30l/min @ 10m Head
- Pump HES EFF;** 30l/min @ 10m Head
- Pump HEP EFF;** 30l/min @ 10m Head

General Notes and Legends

Legend:

	DCW	Domestic Cold Water Pipework
	MW	Main Water Pipework
	DHW	Domestic Hot Water Pipework
	PHWF	Primary Hot Water Flow
	PHWR	Primary Hot Water Return
	SHWF	Secondary Hot Water Flow
	SHWR	Secondary Hot Water Return
	OP	Overflow Pipework
	BHP	Borehole Pipework
		Gate Valve
		Water Meter
		Pump
		Solenoid Valve
		Strainer
		Motorized Valve
		Pressure Relief Valve
		Pressure Sensor
		Temperature Sensor
		Non Return Valve

-	-	-	-
-	-	-	-
02	24.09.20	NTA	Revised Layout
01	14.09.20	NTA	Revised Layout

CAMILLERI & CUSCHIERI
CONSULTING ENGINEERS
Design Center, Level 2, Tower Road, Swatar,
Birkirkara, Malta BKR 4012
+356 21220431 +356 79220431
info@camillerianduscchieri.com
www.camillerianduscchieri.com

Project Name & Address:
Nature Trust
Xrobb L-Għagin

THIS DRAWING IS CONFIDENTIAL AND IS THE PROPERTY OF CAMILLERI & CUSCHIERI CONSULTING ENGINEERS. IT MUST NOT BE DISCLOSED TO A THIRD PARTY, COPIED OR LENT, WITHOUT THE WRITTEN CONSENT OF CAMILLERI AND CUSCHIERI CONSULTING ENGINEERS.

Scale: 1:100	Revision No.: 02	Date: 11.08.20
-----------------	---------------------	-------------------

Job No.: 20.032	Drawing No.: NT-XG.TPSD.AS.02
--------------------	----------------------------------

Drawn By: *Nayana Abela*
Checked By:

Position:
As Shown

Service:
Tank Plumbing Schematic Diagram