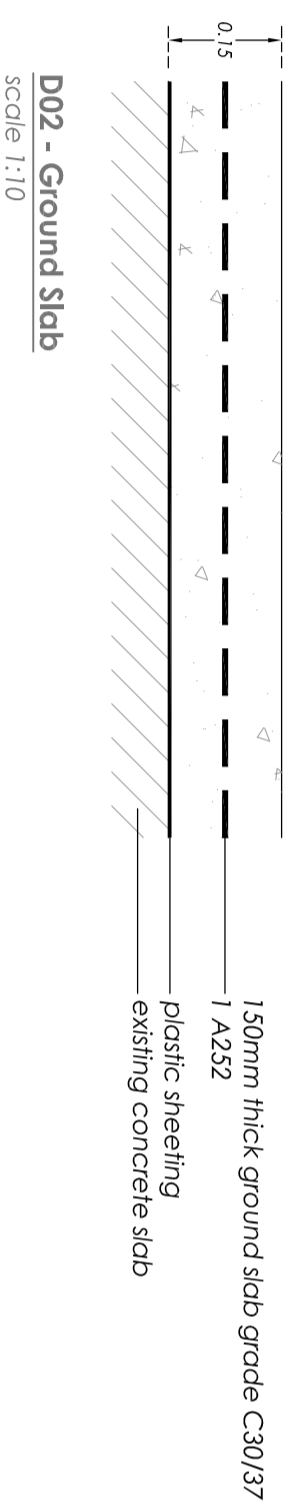
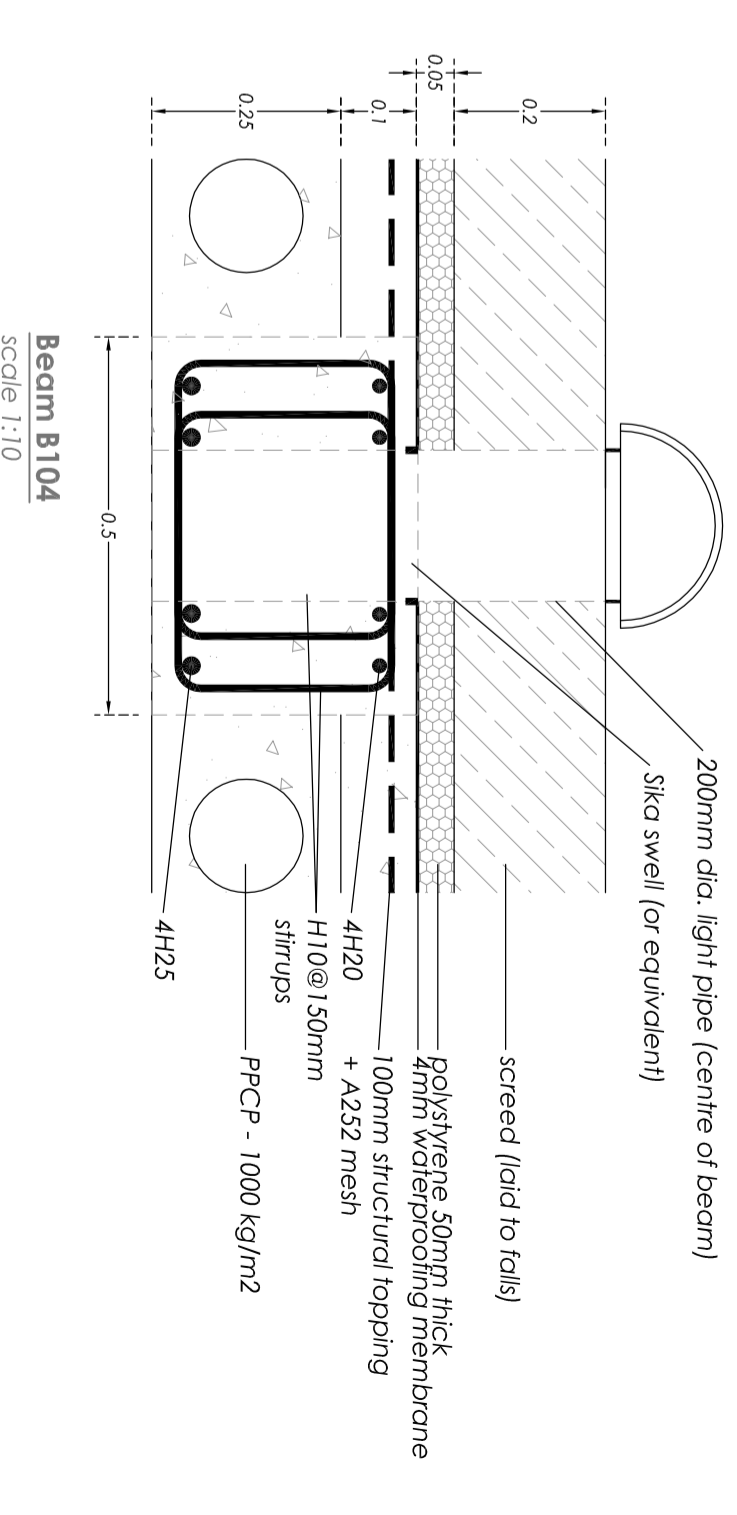


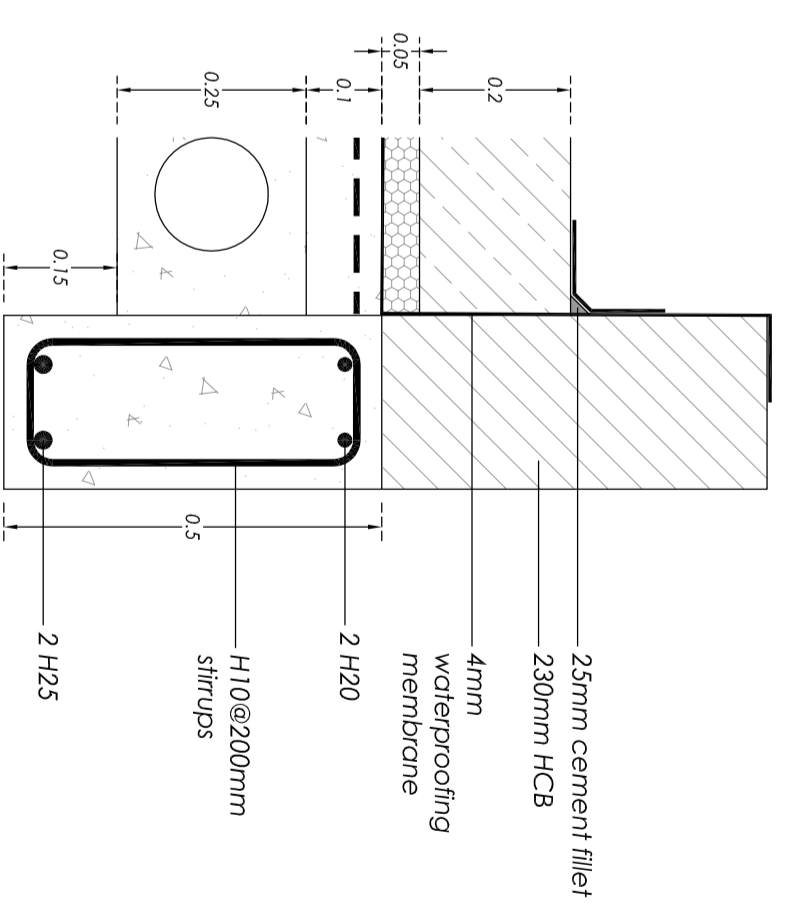
D04 - Beam B103
scale 1:10



D02 - Ground Slab
scale 1:10



Beam B104
scale 1:10



Beam B105
scale 1:10

- Notes:**
1. This drawing is to be read in conjunction with the other Architectural, Structural and Services drawings.
 2. Do not scale off this drawing.
 3. All dimensions are in metres
 4. Unless otherwise specified, cover to all reinforcement above DPC level to be 30mm
 5. Concrete grade to be C45/55, XS1, unless otherwise indicated.
 6. Steel marked T to be high yield, minimum strength 460 MPa.
 7. All laps to 40x bar diameter

Prof. Perit Ruben Paul Borg

B.E.&A.(Hons.)(Mellit.), Spec. Struct.Eng.(Milan), Ph.D.(Sheffield)
Eur.Eng., C.Eng, MICE, C.Env., MED, MICT, MCS, MASCE, A.&C.E

Address:
25, TRIO LUGI BILLION,
PEMBROKE PARK-1372
Tel: +356 21375245
E-Mail: ruben.p.borg@gmail.com

Mob: +356 79055680

Project:
**Proposed Internal Alterations
Xrobb I-Ghagin Nature Park**

Project Ref. No.:
07.2015

Date:
20-12-2019

Drawing Title:
Block A - Beam details

Drawn By:
OB

Checked By:
RPB

Scale:
**1:100
on A2**

Dwg. No.:
D07